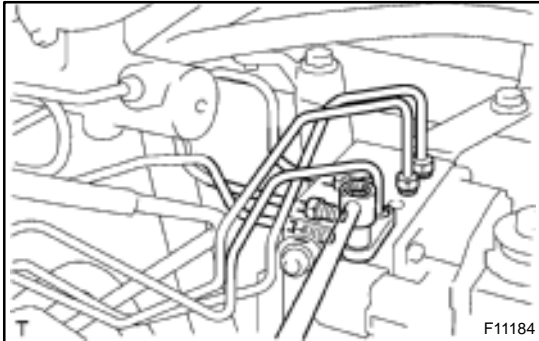


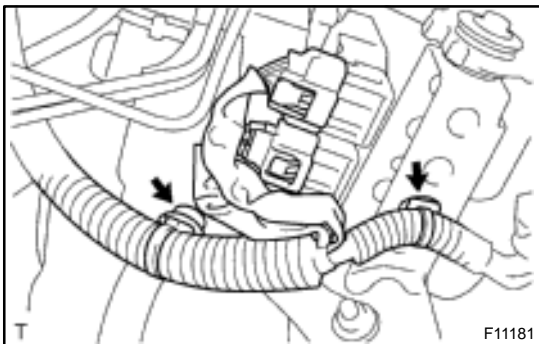
REMOVAL

1. REMOVE TOOL BOX
2. REMOVE LUGGAGE COMPARTMENT TRIM BOX COVER

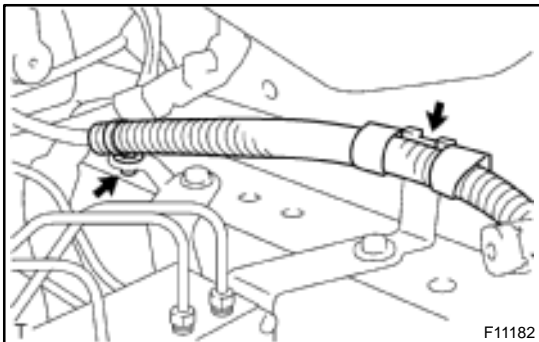
**3. DISCONNECT BRAKE LINES FROM ABS ACTUATOR**

Using SST, disconnect the 6 brake lines.

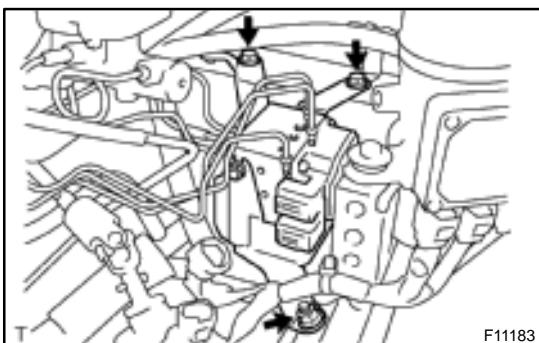
SST 09023-00100

**4. REMOVE ABS ACTUATOR**

- (a) Disconnect the 2 harness clamps and 2 actuator connectors.



- (b) Disconnect the 2 harness clamps.



- (c) Remove the 2 bolts, nut and the ABS actuator assembly.
- (d) Remove the 2 nuts and ABS actuator from the actuator bracket.
- (e) Remove the 2 holders and 3 cushions from the ABS actuator.